



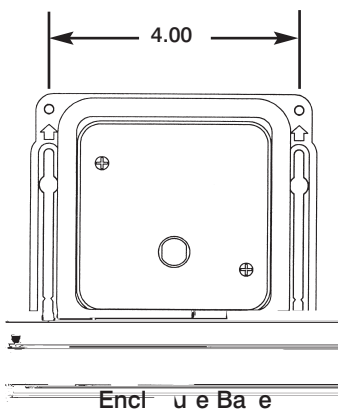
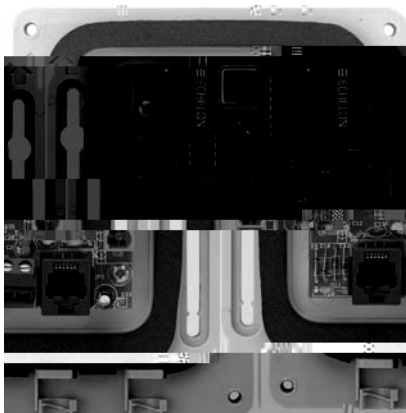
# MICROPlumb® PRODUCTS Single Shower Control

## ► Description

Electronic shower control used with MICROPlumb® push buttons and solenoids to control a single shower.

## ► Specifications

- 24 VAC–50/60 Hz operating voltage
- RJ-11 6 position, 4 pin connections for push button and solenoid connections
- Adjustable run time of 30 seconds to 15 minutes ( $\pm 5\%$ )
- Splash-proof enclosure w/mounting kit
- Can be remotely located 15 feet from shower push button (this distance can be increased to a max. of 200' (with the purchase of MICROPlumb® extension cord kit for push buttons and solenoids).



This space for Architect/Engine approval

The information contained in this document is subject to change without notice.

**PWT** **PROGRAMMED WATER  
TECHNOLOGIES**  
A SLOAN VALVE COMPANY