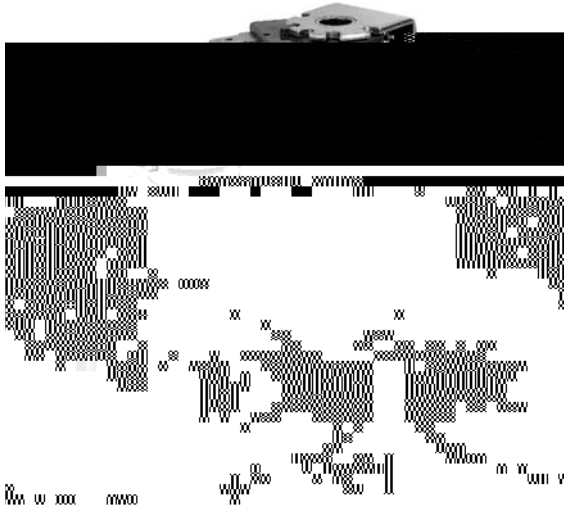


# MICROPlumb PRODUCTS Lavatory/Shower Solenoid

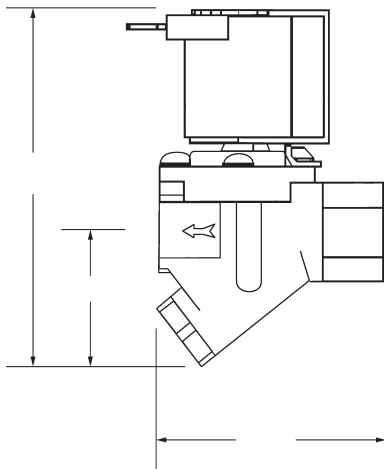
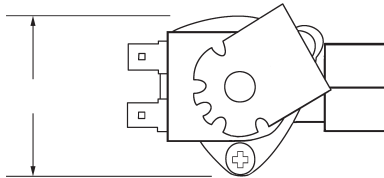


► **Description**  
Electronically operated solenoid w/integral filter used to supply hot or cold water to lavatories or pre-mixed water to a shower. For use with any MICROPlumb® controller.

- **Specifications**
- 24 VAC – 50/60 Hz Operating Voltage
  - Current: In Rush 12 VA (500 mA)  
Holding 4.63 VA (193 mA)
  - Power Consumption: 7 WATTS
  - 160°F maximum water temperature
  - Brass body w/integral 'Y' strainer (80 mesh)
  - .375-18 NPTF Thread at inlet and outlet
  - Stainless steel valve seat
  - Includes 15' cable w/ 6 position, 4 pin RJ-11 connector

- **Accessories**
- MCR 29-A            3/8 NPTM to 3/8 O.D. tube adapter kit
  - MCR 86-200        200' 3/8 O.D. nylon tubing
  - ETF 1003-240      20' Single Wire Extension Cord Kit

NOTE: Solenoid cable length can be increased to a maximum overall length of 200 feet.



This space for Architect/Engineer approval

The information contained in this document is subject to change without notice.

