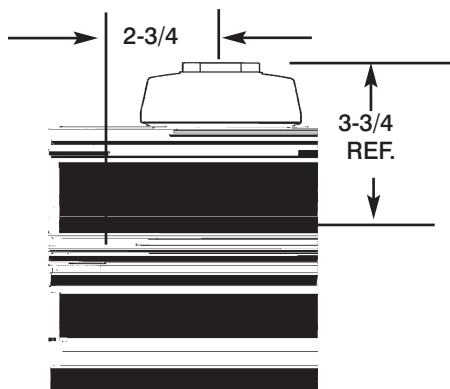
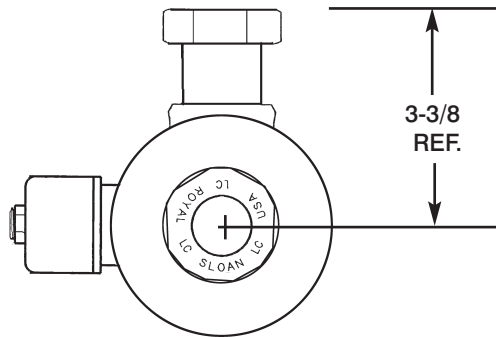
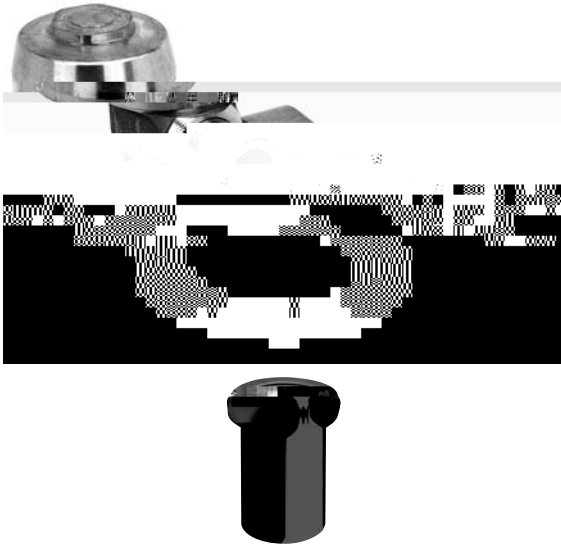


MICROPlumb®  
 PRODUCTS  
 Retrofit  
 Flushometer  
 Assemblies

MCR 271  
 3.5-MOD64



- ▶ **Description**  
 Concealed electronic-operated water closet Flushometer for retrofit of manual, handle-operated Flushometer.
- ▶ **Model Number/Finish/Color Code**  
 Model MCR 271-MOD64 Water Saver (3.5 gpf/13.2 Lpf)
- ▶ **Specifications**
  - Concealed electronic operated, diaphragm type, rough brass closet Flushometer
  - 24 VAC 50/60 Hz non-hold-open integral solenoid operator
  - No external volume adjustment to ensure water conservation
  - 15' cord w/RJ-11 connection
  - Solenoid operator is reversible (can be located right or left of water supply)
  - Dual filtered Permex® bypass diaphragm
  - V-651-A Vacuum Breaker repair kit
  - S-21 Gasket
- ▶ **Options**
  - AG Ground Joint Connection
  - LH Left Hand
  - RH Right Hand

Trace file: Acc/Sec/E/g/ee/a/...a

The information contained in this document is subject to change without notice.

